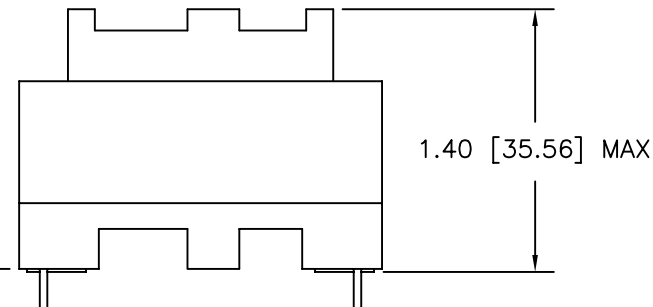
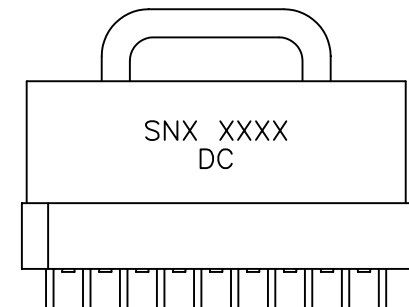
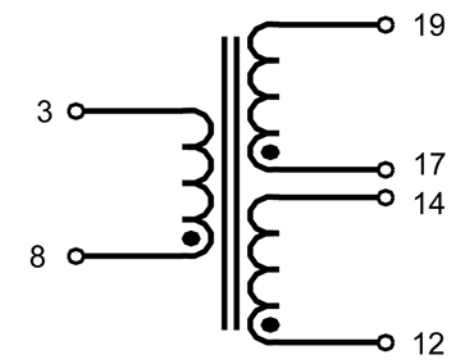
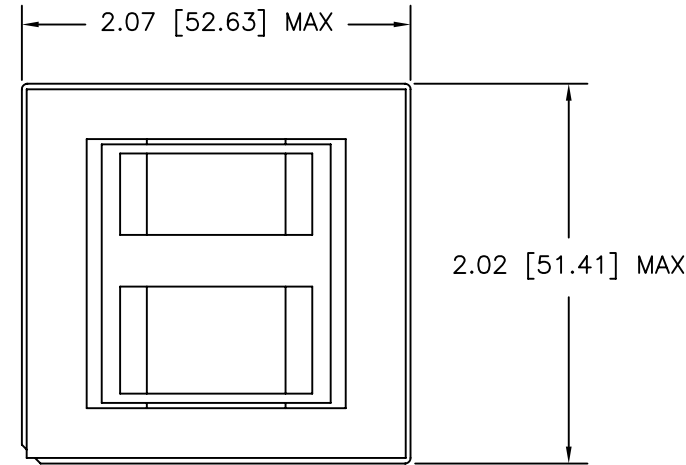


2

1

Test Parameter	Target
Primary Inductance	250 uH±5%
Primary Leakage Inductance	50 uH±5%
DCR (primary)	
DCR (secondary)	
Dielectric Strength (pri-sec)	5000 Vac, 60s
Note: For all inductance measurements, f=100 KHz@1.0 V	

REVISIONS				
ZONE	REV	DESCRIPTION	DATE	APPROVED
	X1	INITIAL RELEASE	03/06/08	SC
	X2	ADDED PROPRIETARY STATEMENT	06/23/08	SC



.040 [1.02]

.210 [5.33]

9X .197 [5.00]

1.673 [42.50]

**PRELIMINARY**

**SANTRONICS RESTRICTED**

THIS DOCUMENT CONTAINS RESTRICTED INFORMATION THAT IS SANTRONICS CONFIDENTIAL AND PROPRIETARY. DISCLOSURE OR DUPLICATION IS NOT PERMITTED WITHOUT AUTHORIZATION FROM SANTRONICS.

UNLESS OTHERWISE SPECIFIED		DATE		<b>SANTRONICS</b> SUNNYVALE, CA	
DIMENSIONS ARE IN INCHES		DRAWN	TK		
TOLERANCES		CHECKED			TRANSFORMER ASSEMBLY, 450W, 24V
FRACTIONS	DECIMALS	ANGLES	APPROVED	SC	
±1/64	.XX ± .02 .XXX ± .010	1°	APPROVED		
ALL SURFACES ✓ EXCEPT AS NOTED		PROJECTION			SIZE <b>B</b> FSCM NO DWG NO <b>SNX 2456</b> REV <b>X2</b>
NEXT ASSEMBLY	USED ON	NOTE: DEBURR AND BREAK ALL SHARP EDGES EXCEPT AS NOTED.		CONTRACT NUMBER	
APPLICATION		DO NOT SCALE THIS DRAWING		SCALE 1/1	SHEET 1 OF 1
WORKMANSHIP PER MIL-HDBK-454 GUIDELINE 9					

2

1